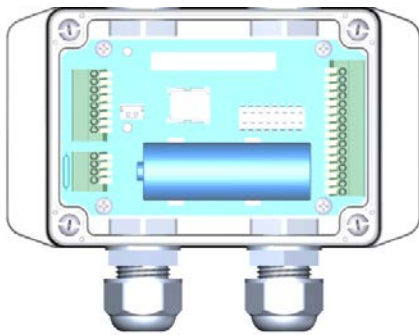


OOT550-DM3B2/DM302 LPWA Data Logger



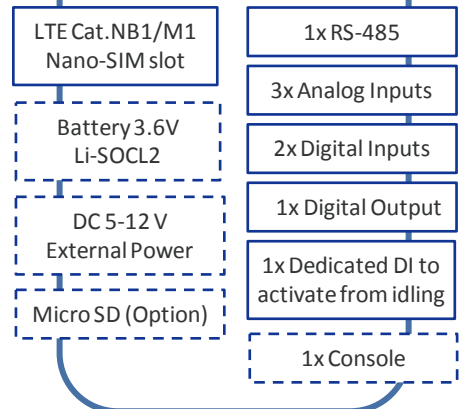
The OOT550 is a cost-effective low complexity solution for simple data acquisition and wireless telemetry. Cat.M1/NB2 is optimized for low bandwidth IoT traffic and leverages existing 4G infrastructure to transmit data at low data rates. It allows massive deployment of wireless IoT with carrier-level security.



Applications:

- AMI/AMR: gas, water
- Smart Infrastructure: street lighting, parking, waste management
- Precision agriculture and farming
- Industrial sensors

OOT550-DM3B2 OOT550-DM302



Battery-powered & easy deploy



- Battery-powered with health alert
- Ext. power supply opt. for heavy loads

LPWA technology Cat.M1/NB2



- Low power, low data rates
- Wide area coverage

Ingress Protection (IP65)



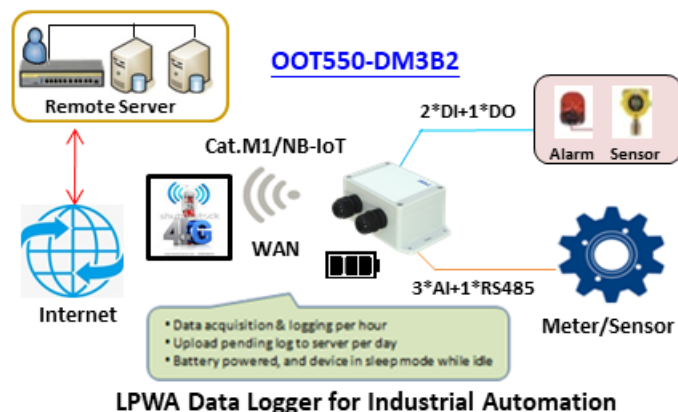
- Harsh environments, wide t° range
- Weatherproof design for moist sites

Data acquisition

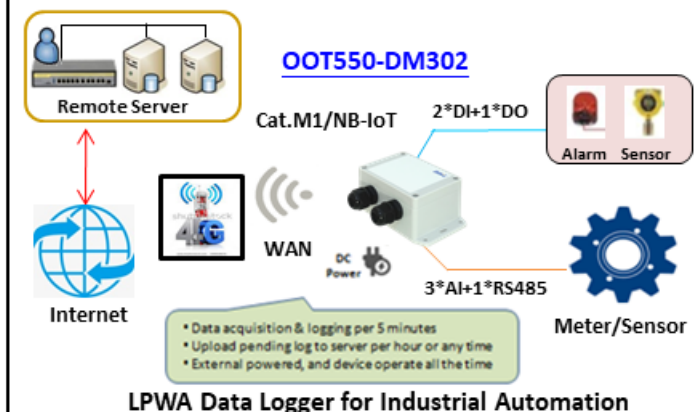


- AI/DI/Modbus RTU for sensors/meters
- Scheduled uplink

OOT550-DM3B2



OOT550-DM302



Specification Summary

Device Interface

- **4G Module:** 1* LTE-Cat.M1 / NB2 module
- **Log Storage:** 1*16MB storage, or optional Micro-SD card.
- **I/O Connector:** 2* M16 waterproof connectors with 2-hole cable gland for wiring the required ports to external sensors/meters.

Available H/W Ports

- **SIM Slot:** 1* Nano-SIM (4FF)
- **Analog Input:** 3* AI ports (AI 1 & 2 Supports 0-10V / 4-20mA, 12-bit)
(AI 3 Supports 0-20V / 4-20mA, 12-bit)
- **Digital Input:** 2* DI ports (isolated, '1': 2V ~ 25V ; '0': 0V ~ 1V, or Floating)
(Pulse Counter Mode)
- **Digital Output:** 1* DO port (isolated, Non-Relayed Output)
- **Field Bus:** 1* RS-485 for Modbus RTU Protocol
- **Console Port:** 1* UART for device configuration
- **Wake-up Port:** 1* wake-up port for device wake-up triggering.
- **Power Source :** 3000~4000mAh 3.6V Li-SOCL2 battery(DM3B2), or external 5V~12V DC power(DM302).
- **Antenna :** 1* LTE antenna.

WAN & Uplink

- **WAN:** Cellular WAN
- **Cellular:** 3GPP, LTE cat. M1/NB2
- **Data Transmission :**
 - Cat.M1** - max. 11119kbps (UL)/588kbps (DL)
 - Cat.NB2** - max. 158.5kbps (UL)/127kbps (DL)

Field Comm.

- **Modbus:** Master for accessing attached Modbus RTU Protocol Slaves
(Upto to 3 Modbus devices supported)

Administration

- **Configuration:** Windows Utility, Console CLI
via USB-to-Serial console cable, or Bluetooth wireless
- **System:** Backup & Restore, Reboot & Reset, SysLog, Upgrade

Environment

- **OP/Storage Temp.** DM3B2 : -20°C ~ 70°C ; -40°C ~ 85°C
DM302 : -30°C ~ 70°C ; -40°C ~ 85°C
- **Humidity:** 10%~95% (non-condensing)
- **Enclosure:** Plastic(PC, UL-94V2), Bracket Mount
- **Dimension:** 105x 75x55mm (Enclosure only);
132x103x55mm (including Cable Gland, Brackets);

Certificate - CE

- Standards & Regulation
- EMI: EN 55032: 2015 +AC: 2016 Class B
- EMS: EN 55024, IEC 61000
- Radio: EN 301 489
- Safety: EN 60950-1, EN 62368-1

Package Accessory

- 1*Device
- 1*4000mAh 3.6V Li-SOCL2 Battery(DM3B2)
- 2*Cable Tie for fixing battery
- 3* Jumper for AI current mode setting
- 3* Water&dust-proof Stopper

Optional Accessory (separate order required)

- USB-to-Serial Console Cable

SKU Information:

OOT550-DM3B2-00-yy : NB-IoT/Cat.M1, with Battery
OOT550-DM302-00-yy : NB-IoT/Cat.M1, without Battery

'yy': Area Variant. As below table

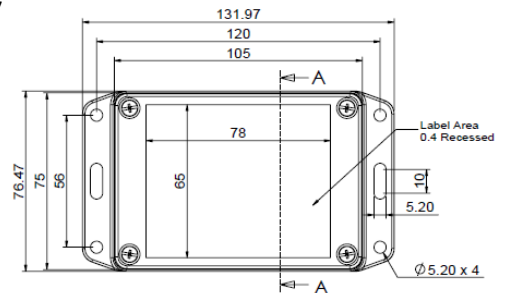
yy	SKU	Band	Module Cert.	System Cert.
G0	Global	Cat. M1: B1/2/3/4/5/8/12/13/14/18/ 19/20/25/26/27/28/66/85 Cat. NB2: B1/2/3/4/5/8/12/13/18/19/ 20/25/26/28/66/71/85	CE,GCF,FCC, PTCRB,RCM	CE

Comment:

- Specifications are subject to change without prior notice.
- Besides CE, other regional certification needs to be checked for availability.

Mechanic Drawing

• Top View



• Side View



AMIT Wireless Inc.

TEL: +886 (0)6 505 8026 FAX: +886 (0)6 505 8068

Web: <http://www.amitwireless.com> Email: sales@amit.com.tw

No. 28, Lane 31, Huandong Rd., Sec. 1, Xinshi Dist., Tainan City 74146, Taiwan (R.O.C.)