

IOG851-WT041

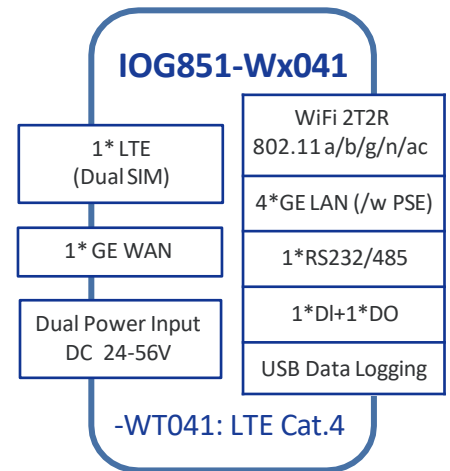
4G PoE IIoT Gateway



The industrial-grade IOG851-W gateway provides functionality of connectivity hub for real-time data acquisition and processing, centralized control over the network, and acts as a power supply source for networking devices in the field. It simplifies the deployment of PoE-enabled devices allowing simultaneous power supply and data transfer via one Ethernet cable.

Applications:

- Industrial IoT and networking
- System cloud integration
- Smart City and ITS
- IP Surveillance
- Remote monitoring



Power Sourcing Equipment (PSE)



- IEEE 802.3at PoE+
- 4*Gigabit ports supply up to 30W each

Data & Access Security



- VPN, Firewall; TR-069, SNMP Remote
- VLAN grouping, I/O ports disablement

Robust Low-latency Networking

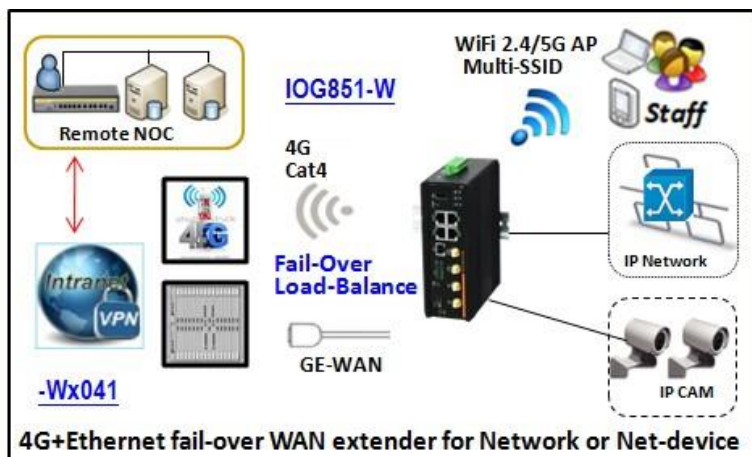
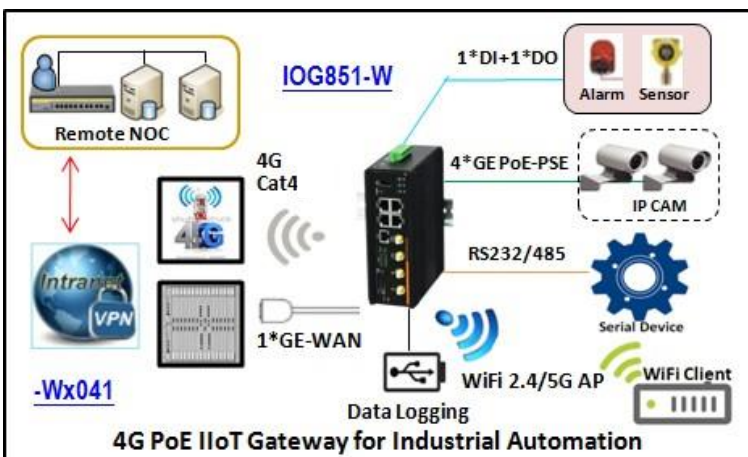


- Multi-WAN Failover/ Load Balance
- 4G, GE, 11ac 2.4/5G WiFi

Open Platform for Developers



- AMIT Linux SDK



Specification Summary

Device Interface

- **4G Module:** 1*LTE, 2*SIM (2FF)
- **Ethernet:** 1*RJ45 GbE, 4*RJ45 GE with 802.3at PSE
- **WiFi:** 1*11a/b/g/n/ac-2T2R 2.4G/5GHz Selectable
- **Field Bus:** 1*RS232/485 (Terminal Block)
- **Log Storage:** 1*USB
- **I/O:** 1*DI ("Logic 0": 0~2V, "Logic 1": 5V~30V), 1*DO (Relay Mode, up to 30V/1A)
- **Power Input:** 2* DC 24V ~ 56V (Terminal Block)
- **Antenna Con.:** 2*SMA (F)-4G, 2*SMA(M)-WiFi

WAN & Uplink

- **WAN:** Cellular & Config. Ether-WAN; Failover, Load Balance
- **Cellular:** 3GPP, 2G/3G/4G, IP Pass-through, IPv4/6
- **Ether-WAN:** Dynamic IP, Static IP, PPPoE, PPTP, L2TP
- **Network Monitor:** ICMP/DNS Query

WiFi

- **Standard:** 802.11 Industry Compliance
- **Mode:** AP Router, WDS Only, WDS Hybrid Modes
- **Functions:** Multi-SSID, WMM
- **Security:** WEP, WPA, WPA2, WPA-PSK, WPA2-PSK, 802.1x

Protocol

- **LAN & VLAN:** DHCP Server/Relay, Port/Tag based VLAN
- **IPv6:** Dual Stack, Static IPv6, DHCPv6, PPPoEv6
- **Port Forward:** NAT 1-1, 1-many, transversal, DMZ, Virtual Server & Computer, VPN Pass-through
- **Routing:** Static, Dynamic - RIP1/RIP2, OSPF, BGP
- **QoS:** Policy-based, 802.1q and TOS for priority queues
- **PoE :** Power Control, Manual ON/OFF, Scheduled ON/OFF

Field Comm.

- **Virtual COM:** RFC2217, TCP Client, TCP Server, UDP
- **Modbus:** Gateway for Modbus TCP/RTU/ASCII Master/Slave Access; Slave for Device Status/Information Access
- **Data Logging:** Sniffer, Off-line / Full-time Proxy, mixed modes

Object

- **Scheduling:** Time Schedule List
- **Grouping:** Host Grouping List
- **Ext. Server:** Email, Syslog, RADIUS, SCEP, FTP, DDNS, IGMP
- **Certificate:** My Certificate, Trusted Certificate, Issue Certificate

Security

- **VPN Tunneling:** IPSec, OpenVPN, PPTP, L2TP, GRE
- **Scenario:** Site/Host to Site/host; Dynamic VPN
- **VPN Capability:** IPSec: up to 16 tunnels
- **Firewall:** SPI Firewall with Stealth Mode, IPS
- **Access Control:** Packet Filter, URL Blocking, MAC Filter

Administration

- **Configuration:** Web UI, CLI, Command Script
- **Management:** SNMPv3 Std. & AMIT MIB, TR069
- **System:** Upgrade, Backup & Restore, Reboot & Reset, SysLog
- **FTP:** FTP Server, User Account
- **Diagnostic:** Packet Analyzer, Diagnostic Tools

Service

- **Cellular Toolkit:** Data Usage, SMS, SIM PIN, USSD, Network Scan
- **Event Handling:** User Defined Manage/Notify Event; Action & Trigger by SMS, Mail, Syslog, SNMP Trap, Modbus, I/O

Environment

- **OP/Storage Temp.:** -30°C ~ 70°C ; -40°C ~ 85°C
- **Humidity:** 10%~95% (non-condensing)
- **Enclosure:** Metal, DIN-Rail, Bracket (Optional)
- **Dimension:** 62x125x160mm (w/o mounting kit)
62x135x160mm (with DIN Rail kit)

Certificate - CE

- Standards & Regulation
- EMI: EN 55032: 2015 +AC: 2016 Class B
- EMS: EN 55024, IEC 61000,
- Radio: EN 301 489, EN 300 328, EN 301 893, EN50385
- Safety: EN 60950-1

Package Accessory

- 1*Device
- 1*Terminal Block (8-pin for DC Power & DI/DO)
- 1*Terminal Block (4-pin for serial port)
- 1*RJ45 Cable, 1*Power Cord
- 1*DIN Rail Kit, 1*Screw Bag
- 1*power cord

SKU Information:

IOG851-WT041-00-yy : LTE Cat.4

'yy': Area Variant. As below table

yy	Skew	Band	Module Certi.	System Cert.
E0	EU Taiwan	B1/3/7/8/20/28	CE, GCF NCC	CE
U0	US	B2/B4/B5/B12/B13/B14/B 66/B71	PTCRB, AT&T Veizon	TBC
J0	Japan	B1/8/9/18/19/21/41	Telec, NTT, KDDI, Softbank	Telec
C0	China	B3/39/40/41	MII, SRRC	TBC
A0	Australia	B1/3/5/7/28/40	RCM	TBC

Comment:

- Specifications are subject to change without prior notice.
- Besides CE, other regional certification needs to be checked for availability.

Mechanic Drawing

(1) Front View



(2) Left View



AMIT Wireless Inc.

TEL: +886 (0)6 505 8026 FAX: +886 (0)6 505 8068

Web: <http://www.amitwireless.com> Email: sales@amit.com.tw

No. 28, Lane 31, Huandong Rd., Sec. 1, Xinshi Dist., Tainan City 74146, Taiwan (R.O.C.)