

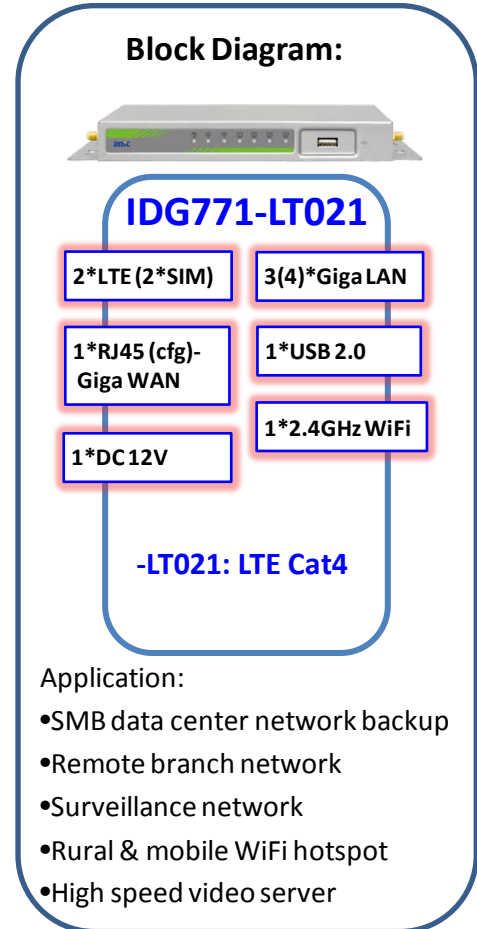


SMB & WiFi Hotspot GW IDG771-LT021

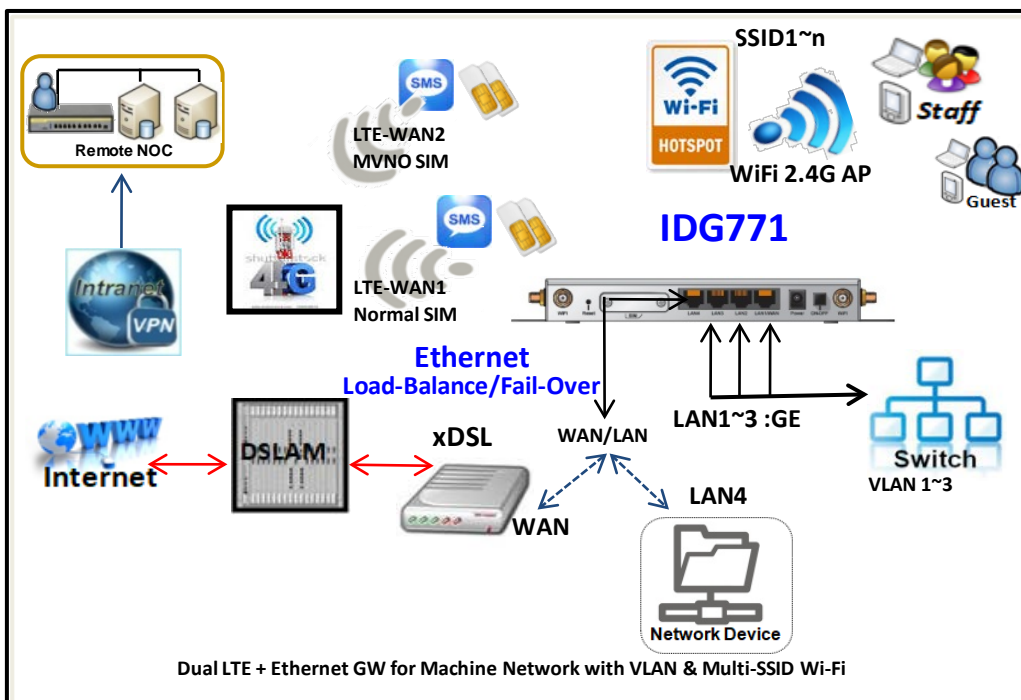
Functions:

- Expanding LTE based WAN connection for various IP networks at instant, including enterprise, industry, surveillance, WiFi hotspot network.
- To be primarily or backup WAN for IP network enhances connection. It can expand fail-over for network at single WAN between LTE and Ether-WAN. There are dual SIMs for single LTE to achieve ISP fail-over when primarily fail.
- Compact and easy to be integrated into solution. High speed device covers LTE Cat4 and four port Giga LAN. USB for log storage and future expansion.
- Capable of rich VPN tunnel technology and high throughput up to 150Mbps can build VPN tunnel between IP network/network device with remote center or allow clients to connect in for secure data transmission.
- Cellular toolkit simplifies setting and utilizes ISP service. Data usage monitoring for budget control. Self-defined SMS commands for easy and quick management.
- Both IPv4/IPv6 protocol stack meet ISP requirement. Gateway base on IP pass through or DHCP based NAT with Port Forwarding. Rich Routing function covers static, dynamic and OSPF compatible with most IP network.
- Web-UI for basic setting. CLI and Command Script for advance setting. TR-069 used with AMIT-NMS for multi-site management. SNMP used for popular network tools management. SDK used for application expansion development.

Block Diagram:



Connection Diagram:



Specification Summary

Device Interface

- **LTE Module:** 2*LTE-Cat.4, 1+1*Nano SIM
- **Ethernet:** (1+3)*RJ45 GE
- **WiFi:** 1*11n-2*2
- **Log Storage:** 1*USB
- **Power Input:** 1* DC 12V (DC Jack)
- **Antenna Con.:** 4*SMA (F)-LTE, 2* SMA(M)-WiFi

WAN & Uplink

- **WAN:** Cellular, Ether-WAN; Failover, Load Balance
- **Cellular:** 3GPP, 2G/3G/LTE, IP Pass-through, IPv4/6
- **Ether-WAN:** Dynamic IP, Static IP, PPPoE, PPTP, L2TP
- **Network Monitor:** ICMP/DNS Query

WiFi

- **Standard:** IEEE 802.11 Industry Compliance
- **Mode:** AP Router, WDS, WDS Hybrid Modes
- **Functions:** Multi-SSID, WMM
- **Security:** WEP, WPA, WPA2, WPA-PSK, WPA2-PSK, 802.1x
- **Captive Portal:** External Web Portal

Protocol

- **LAN & VLAN:** DHCP Server/Relay, Port/Tag based VLAN
- **IPv6*:** Dual Stack, Static IPv6, DHCPv6, PPPoEv6
- **Port Forward:** Virtual Server, Virtual Computer, DMZ, VPN Pass-through
- **Routing:** Static, Dynamic - RIP1/RIP2, OSPF, BGP
- **QoS*:** Policy-based Bandwidth Control and Packet Flow Prioritization

Object

- **Scheduling:** Time Schedule List
- **Grouping:** Host Grouping List
- **Ext. Server:** Email, Syslog, RADIUS, SCEP, FTP, DDNS, IGMP
- **Certificate:** My Certificate, Trusted Certificate, Issue Certificate

Security

- **VPN Tunneling:** IPSec, OpenVPN, PPTP, L2TP, GRE
- **Scenario:** Site/Host to Site/Host; Hub and Spoke; Dynamic VPN
- **VPN Capability:** IPSec: up to 16 tunnels
- **Firewall:** SPI Firewall with Stealth Mode, IPS
- **Access Control:** Packet Filter, URL Blocking, MAC Filter

Administration

- **Configuration:** Web UI, CLI, Command Script, Python
- **Management:** SNMPv3 Std. & AMIT MIB, TR-069
- **System:** Upgrade, Backup & Restore, Reboot & Reset, SysLog
- **Diagnostic:** Packet Analyzer, Diagnostic Tools

Service

- **Cellular Toolkit:** Data Usage, SMS, SIM PIN, USSD, Network Scan
- **Event Handling:** User Defined Manage/Notify Event; SMS, Mail, Syslog, SNMP Trap

Environment

- **OP/Store Temp.:** -30°C ~ 60°C; -40°C ~ 85°C
- **Humidity:** 10%~95% (non-condensing)
- **Enclosure:** Metal
- **Dimension:** 225x115x25mm

Certificate - CE

- Standards & Regulation
- EMI: EN 55032: 2015 +AC: 2016 Class B, EN61000-3/-6
- EMS: EN 55024, IEC 61000, EN61000-6
- Radio: EN 301 489, EN 300 328, EN 301 893, EN50385
- Safety: EN 60950-1, EN 62368-1

Package Accessory

- 1*Device
- 4*Cellular Antenna (3dBi), 2*WiFi Ant.
- 1*Power Adapter DC 12V/2A
- 1*CD (User Manual)
- 1*RJ45 Cable

SKU Information:

IDG771-LT021-00-yy : LTE Cat.4

'yy': Area Variant. As below table

yy	SKU	Band	Module Certi.	System Cert.
E0	EU	B1/3/7/8/20	CE,GCF	CE
R0	Russia	B3/7/20	-	EAC
U0	US	B2/4	PTCRB, AT&T	TBD
J0	Japan	B1/9/18/19/21	Telec, NTT,KDDI	Telec
J1	Japan	B1/8/41	Telec, Softbank	TBD
T0	Taiwan	B3/7/8/28	NCC	TBD
C0	China	B3/8/39/40/41		TBD
A0	Australia	B1/3/5/7/28/40	RCM,	TBD

Comment

- Specifications are subject to change without prior notice..
- Besides CE, region Certification need to check for availability.

Mechanic Drawing

• Front View



• Back View



AMIT Wireless Inc.

TEL: +886 (0)6 505 8026 FAX: +886 (0)6 505 8068

Web: <http://www.amitwireless.com> Email: sales@amit.com.tw

No. 28, Lane 31, Huandong Rd., Sec. 1, Xinshi Dist., Tainan City 74146, Taiwan (R.O.C.)