

# IOG761-0T2B3

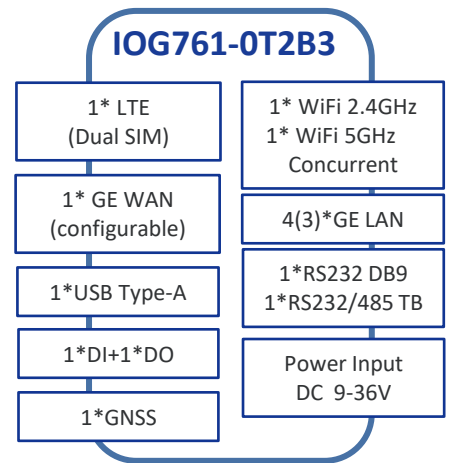
## 4G IIoT WiFi5 Gateway

IOG761-0T2B3 is LTE/4G based industry gateway for IIoT telemetry of SCADA system. With Cellular WAN, it is non-geographic limit and can install at instant. With four GbEs, it can connect to more network devices in application. It can also configure one port as fail over Ether-WAN for reliable dual-WAN scenario. With one serial and one I/O interface, it can connect to more legacy serial devices, sensors and relay output to control device. USB storage based data logging function can store serial and D/I data for non-broken or scheduling transfer. WiFi 5 AP function allows multiple wireless field device to connect in or local IT staff easy administration.



### Applications:

- IIoT/AIoT and networking
- System cloud integration
- Smart City and ITS
- Remote monitoring
- IT Machine



### High-Speed Network

- LTE Network, WiFi 5 AP
- Giga-Ethernet

### Industrial IoT & cloud integration

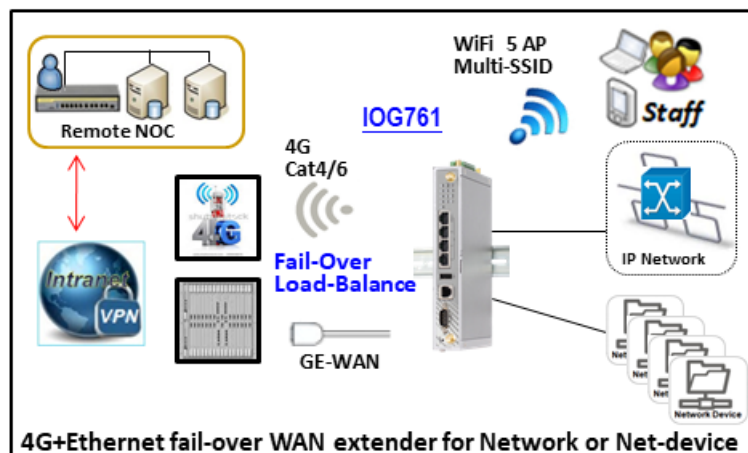
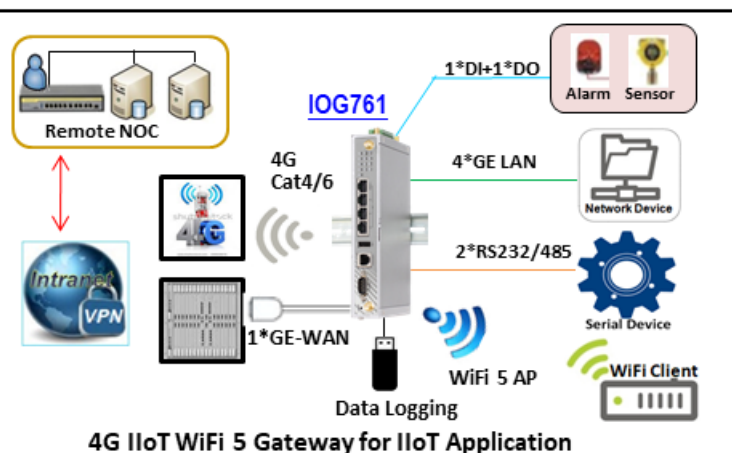
- HTTP/HTTPS, MQTT, Data Logging
- Virtual COM, Modbus TCP/RTU/ASCII

### Robust low-latency networking

- Multi-WAN Failover / Load Balance
- WiFi 5 2.4/5GHz Dual Band

### Data & access security

- VPN, Firewall, TR-069, SNMP Remote
- VLAN grouping, I/O ports disablement



# Specification Summary

## Device Interface

- **4G Module:** 1\*4G, 2\*mini-SIM (2FF), with GNSS
- **Ethernet:** 4\*RJ45 GE Ports
- **WiFi:** 1\*2x2 2.4GHz 802.11 b/g/n , 1\*2x2 5GHz 802.11ac
- **Field Bus:** 1\*RS232(Full/DB9) + 1\*RS-232(Lite)/485 (Terminal Block)
- **Log Storage:** 1\*USB 2.0 Type-A
- **I/O:** 1\*DI (Isolated, "Logic 0": 0~2V, "Logic 1": 5V~30V)  
1\*DO (Relayed Output, 30V/1A for each port)
- **Power Input :** 1\* DC 9V ~ 36V (Terminal Block)
- **Antenna Con.:** 2\*SMA (F)-4G, 2\*SMA (M)-WiFi, 1\*SMA(F)-GNSS

## WAN & Uplink

- **WAN:** Cellular & Config. Ether-WAN; Failover, Load Balance
- **Cellular:** 4G, IP Pass-through, IPv4/6
- **Ether-WAN:** Dynamic IP, Static IP, PPPoE , PPTP, L2TP
- **Network Monitor:** ICMP/DNS Query

## WiFi

- **Standard:** 802.11 Industry Compliance
- **Mode:** AP Router
- **Functions:** Multi-SSID, WMM
- **Security:** WEP, WPA, WPA2, WPA3, WPA-PSK, WPA2-PSK, 802.1x

## Protocol

- **LAN & VLAN:** DHCP Server/Relay, Port/Tag based VLAN
- **IPv6:** Static IPv6, DHCPv6
- **Port Forward:** DMZ, Virtual Server & Computer, VPN Pass-through
- **Routing:** Static, Dynamic - RIP1/RIP2, OSPF, BGP

## Field Comm.

- **Virtual COM:** RFC2217, TCP Client, TCP Server, UDP
- **Modbus:** Gateway for Modbus TCP/RTU/ASCII Master/Slave Access;  
Slave for Device Status/Information Access
- **Data Interchange:** MQTT Broker, MQTT Client
- **Data Logging:** Sniffer, Off-line, Full-time Proxy, mixed modes

## Security

- **VPN Tunneling:** IPSec, OpenVPN, PPTP, L2TP, GRE
- **Scenario:** Site/Host to Site/host, Dynamic VPN
- **VPN Capability:** IPSec: up to 8 tunnels
- **Firewall:** SPI Firewall with Stealth Mode, IPS
- **Access Control:** Packet Filter, URL Blocking, MAC Control

## Administration

- **Configuration:** Web UI, Telnet/SSH, CLI, Command Script
- **Management:** SNMPv3 Std. & AMIT MIB, TR069
- **System:** Upgrade, Backup & Restore, Reboot & Reset, SysLog
- **Diagnostic:** Packet Analyzer, Diagnostic Tools

## Service

- **Cellular Toolkit:** Data Usage, SMS, SIM PIN, Network Scan
- **GNSS:** GPS/GLONASS Location Tracking / Viewer

## Environment

- **OP/Storage Temp.:** -30°C ~ 70°C ; -40°C ~ 85°C
- **Humidity:** 10%~95% (non-condensing)
- **Enclosure:** Metal, Bracket/Din-Rail
- **Dimension:** 187x110x31mm (w/o mounting kit)  
31x120x187mm (with DIN Rail kit)  
225x110x 39mm (with Bracket kit)

## Certificate - CE

- Standards & Regulation
- EMI: EN 55032: 2015 +AC: 2016 Class B, EN61000-3/-6
- EMS: EN 55024, IEC 61000-4, IEC 61000-6
- Radio: EN 300 328, EN 301 489, EN 301 839, EN 50385
- Safety: EN 60950, EN 62368-1

## Package Accessory

- 1\*Device, 1\*Power Adapter (12V/2A)
- 2\*Cellular Antenna (3dB), 2\*WiFi Antenna (5dBi)
- 2\*Terminal Block (for DC Power, Serial, and I/O)
- 1\*RJ45 Cable
- 1\*DIN Rail Kit, 1\*Screw Bag

## SKU Information:

**IOG761-0T2B3-00-yy : LTE Cat.4/6**

'yy': Area Variant. As below table

yy	SKU	Cellular Band	Module Cert.	System Cert.
EO	EU	B1/3/7/8/20	CE, GCF	CE
JO	Japan	B1/9/18/19/21	Telec, NTT, KDDI	Telec
TO	Taiwan	B3/7/8/28	NCC	NCC

## Comment:

- Specifications are subject to change without prior notice.
- Besides CE, other regional certification needs to be checked for availability.

## AMIT Wireless Inc.

TEL: +886 (0)6 505 8026 FAX: +886 (0)6 505 8068

Web: <http://www.amitwireless.com> Email: [sales@amit.com.tw](mailto:sales@amit.com.tw)

No. 28, Lane 31, Huandong Rd., Sec. 1, Xinshi Dist., Tainan City 74146, Taiwan (R.O.C.)