



4G Transit Gateway

VHG87B-0T0B0

VHG87B-060B0

Get Vehicles On-Line at Instant

VHG87B-0T0B0 is a Cat-4 LTE-based gateway that brings simplicity to wireless connection process. With worldwide LTE spectrum, it enables WAN connectivity for moving vehicles and contribute a reliable bi-directional communication for other on-board electronic devices. Intelligent network monitoring allows VHG87B-0T0B0 to re-connect automatically or fail over to alternative SIM.

Mobile WiFi Hotspot

Providing Internet and WiFi access to riders has become an essential service. VHG87B-0T0B0 equips dual WiFi radios that can support con-current 2.4GHz and 5GHz dual-band WiFi hotspot for buses or tourist coaches. Working with external portal server enables an efficient way of user authentication and billing. QoS and bandwidth management also guarantee a better quality of experience.

Geo Location Tracking

VHG87B-0T0B0 has a built-in GPS receiver that can retrieve location data from global GPS satellite system, and then forward to remote servers or save in local storage. It is helpful to track locations of vehicles and integrate with LBS (Location-Based Service) or AVL (Automatic Vehicle Location) applications. With NMEA 0183 standard format, it is much easier for backend servers integration.

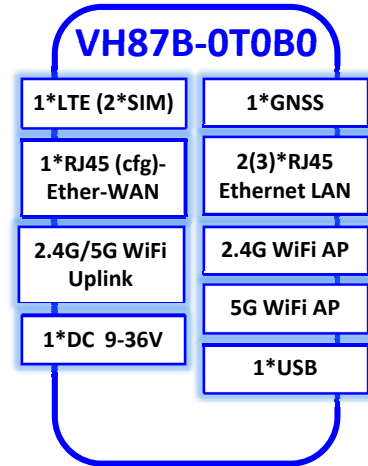
In-Vehicle Networking

Thanks to multiple interfaces on VHG87B, it makes VHG87B as a communication hub for other on-board electronic devices. Through its 3-port gigabit Ethernet, it's easier to connect surveillance system, payment system, ticketing system, and passenger information system aboard. The USB port at front is reserved for customized applications with different customer-owned USB devices.

Dedicated to Harsh Environment

Many challenges in the way for electronic devices in vehicles, including unstable power source, transients, vibration, and extreme temperature. To overcome those problems, VHG87B-0T0B0 adopts special hardware components that are compliant to ISO7637-2 and MIL STD-810G requirements. VHG87B-0T0B0 also got E-Mark approval to show its confidence while it performs on the road.

Block Diagram



Applications & Industries

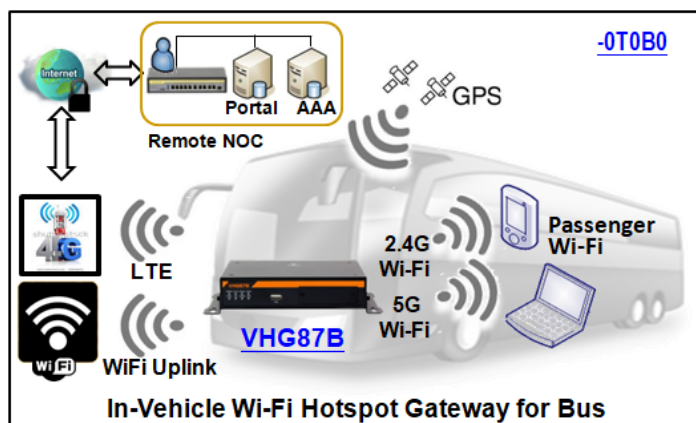
• Applications:

- ✓ Passenger WiFi
- ✓ Location tracking
- ✓ Integration with on-board passenger information system, signage, cashless payment, ticketing, surveillance system

• Industries:

- ✓ Transportation
- ✓ Mission Critical

Connection Diagram



Specification Summary

Device Interface

- **LTE Module:** 1*LTE-Cat.4, 2*SIM, with GNSS (-0T0B0)
- **Ethernet:** 3*RJ45 FE
- **WiFi:** 1*11n-2*2, 1*11ac-2*2 High Power
- **Log Storage:** 1*USB
- **Power Input:** 1* DC 9V ~ 36V (Terminal Block)
- **Antenna Con.:** 2*SMA (F)-LTE, 2*SMA(M)-WiFi, 1* SMA(F)-GPS

WAN & Uplink

- **WAN:** Cellular & Config. Ether-WAN; Failover, Load Balance,
- **Cellular:** 3GPP, 2G/3G/LTE, IP Pass-through, IPv4/6
- **Ether-WAN:** Dynamic IP, Static IP, PPPoE, PPTP, L2TP
- **Wi-Fi uplink:** Auto AP scan, profile for APs link priority
- **Network Monitor:** ICMP/DNS Query

WiFi

- **Standard:** 802.11 Industry Compliance
- **Mode:** AP Router, WDS, WDS Hybrid Modes
- **Functions:** Multi-SSID, WMM
- **Security:** WEP, WPA, WPA2, WPA-PSK, WPA2-PSK, 802.1x
- **Captive Portal:** External & Internal web portal

Protocol

- **LAN & VLAN:** DHCP Server/Relay, Port/Tag based VLAN
- **IPv6:** Dual Stack, 6-in-4, 6-to-4
- **Port Forward:** NAT 1-1, 1-many, transversal, DMZ, Virtual Server & Computer, VPN Pass-through
- **Routing:** Static, Dynamic - RIP1/RIP2, OSPF, BGP
- **QoS:** Policy-based, 802.1q and TOS for priority queues

Object

- **Scheduling:** Time Schedule List
- **Grouping:** Host Grouping List
- **Ext. Server:** Email, Syslog, RADIUS, SCEP, FTP, DDNS, IGMP
- **Certificate:** My Certificate, Trusted Certificate, Issue Certificate

Service

- **Cellular Toolkit:** Data Usage, SMS, SIM PIN, USSD, Network Scan
- **Event Handling:** User Defined Manage/Notify Event; Action & Trigger by SMS, Mail, Syslog, SNMP Trap, System HW
- **GNSS:** GPS Location Tracking / Viewer

Security

- **VPN Tunneling:** IPSec, OpenVPN, PPTP, L2TP, GRE
- **Scenario:** Site/Host to Site/host; Hub and Spoke; Dynamic VPN
- **VPN Capability:** IPSec: up to 16 tunnels
- **Firewall:** SPI Firewall with Stealth Mode, IPS
- **Access Control:** Packet Filter, URL Blocking, MAC Filter
- **Authentication:** MAC based, Portal based Int./Ext LDAP/AD DB

Administration

- **Configuration:** Web UI, CLI, Command Script, Python
- **Management:** SNMPv3 Std. & AMIT MIB, TR069
- **System:** Upgrade, Backup & Restore, Reboot & Reset, SysLog
- **FTP:** FTP Server, User Account
- **Diagnostic:** Packet Analyzer, Diagnostic Tools

Environment

- **Operation Temp.:** -30°C ~ 70°C
- **Storage Temp.:** -40°C ~ 85°C
- **Humidity:** 10%~95% (non-condensing)
- **Enclosure:** Metal, Bracket
- **Dimension:** 160x120x35mm (w/o bracket kit)
200x120x42mm (with Bracket kit)

Certification

- CE
 - ✓ EMI: EN 55032: 2015 +AC: 2016 Class B
 - ✓ EMS: EN 55024, IEC 61000,
 - ✓ Radio: EN 301 489, EN 300 328, EN 301 893, EN50385
 - ✓ Safety: EN 60950-1
- E-Mark ECE R10

Shock/Vibration

- MIL STD-810G

Package Content

- 1*VHG87B-0T0B0
- 2*Cellular Antenna (3dBi), 2*WiFi Antenna (5dBi)
- 1*Terminal Block (DC Power)
- 2*Mounting Brackets, 1*Screw Bag
- 1*CD (User Manual)

SKU Information

VHG87B-0T0B0-00-yy : LTE Cat.4

'yy': Area Variant. As below table

yy	Skew	Band	Module Certi.	System Cert.
E0	EU Taiwan	B1/3/7/8/20/28	CE,GCF NCC	CE
U0	US	B2/B4/B5/B12/B13/B14/ B66/B71	PTCRB, AT&T Veizon	TBC
J0	Japan	B1/8/9/18/19/21/41	Telec, NTT,KDDI, Softbank	Telec
C0	China	B3/39/40/41	Mii, SRRC	TBC
A0	Australia	B1/3/5/7/28/40	RCM	TBC

Note

- Specifications are subject to change without prior notice.
- Besides CE, other regional certification needs to be checked for availability.

Mechanic Drawing

(1) Front View



(2) Back View



AMIT Wireless Inc.

TEL: +886 (0)6 505 8026 FAX: +886 (0)6 505 8068

Web: <http://www.amitwireless.com.tw> Email: sales@amit.com.tw

No. 28, Lane 31, Huandong Rd., Sec. 1, Xinshi Dist., Tainan City 74146, Taiwan (R.O.C.)